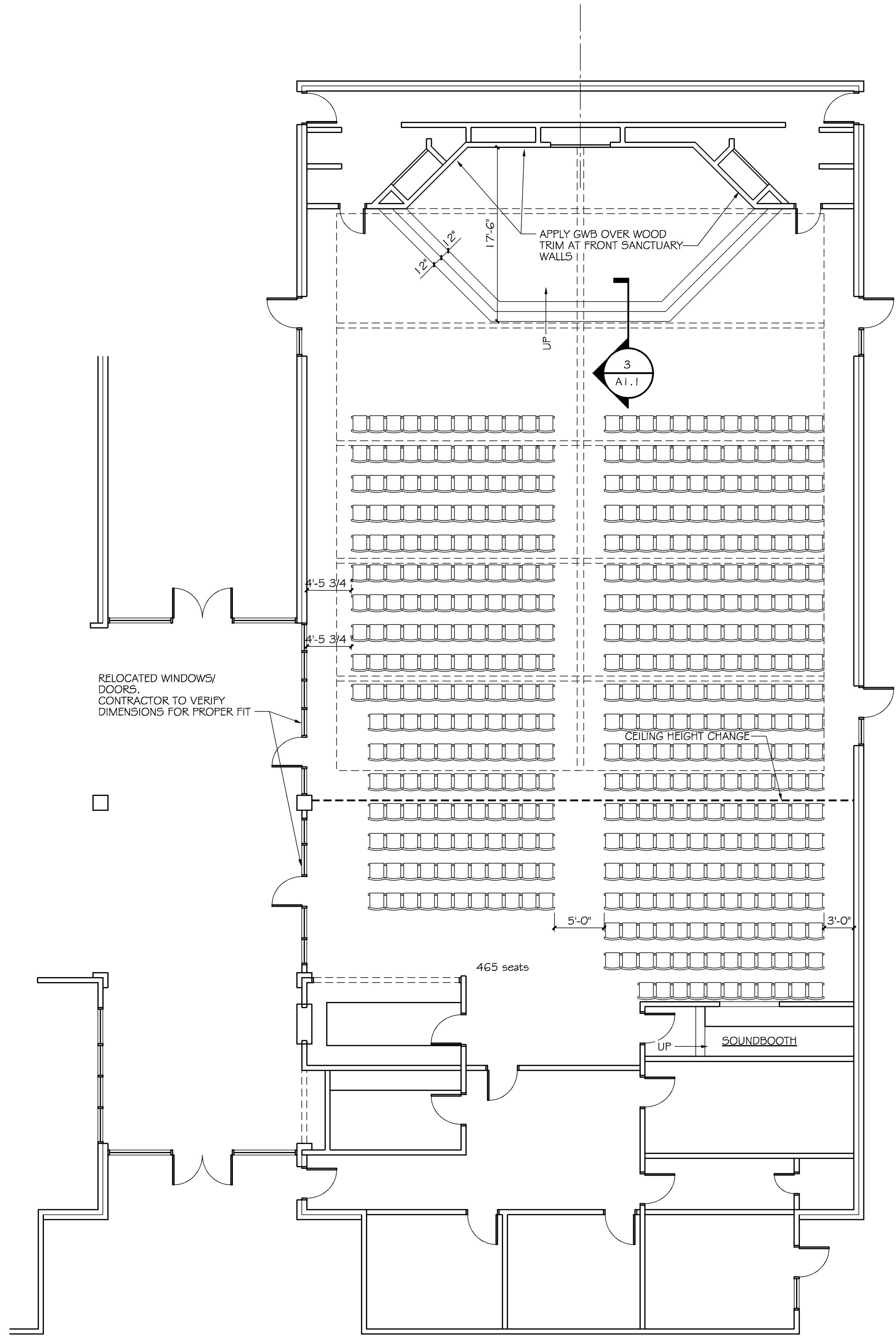


DEMO FLOOR PLAN

SCALE: 1/8"=1'-0"

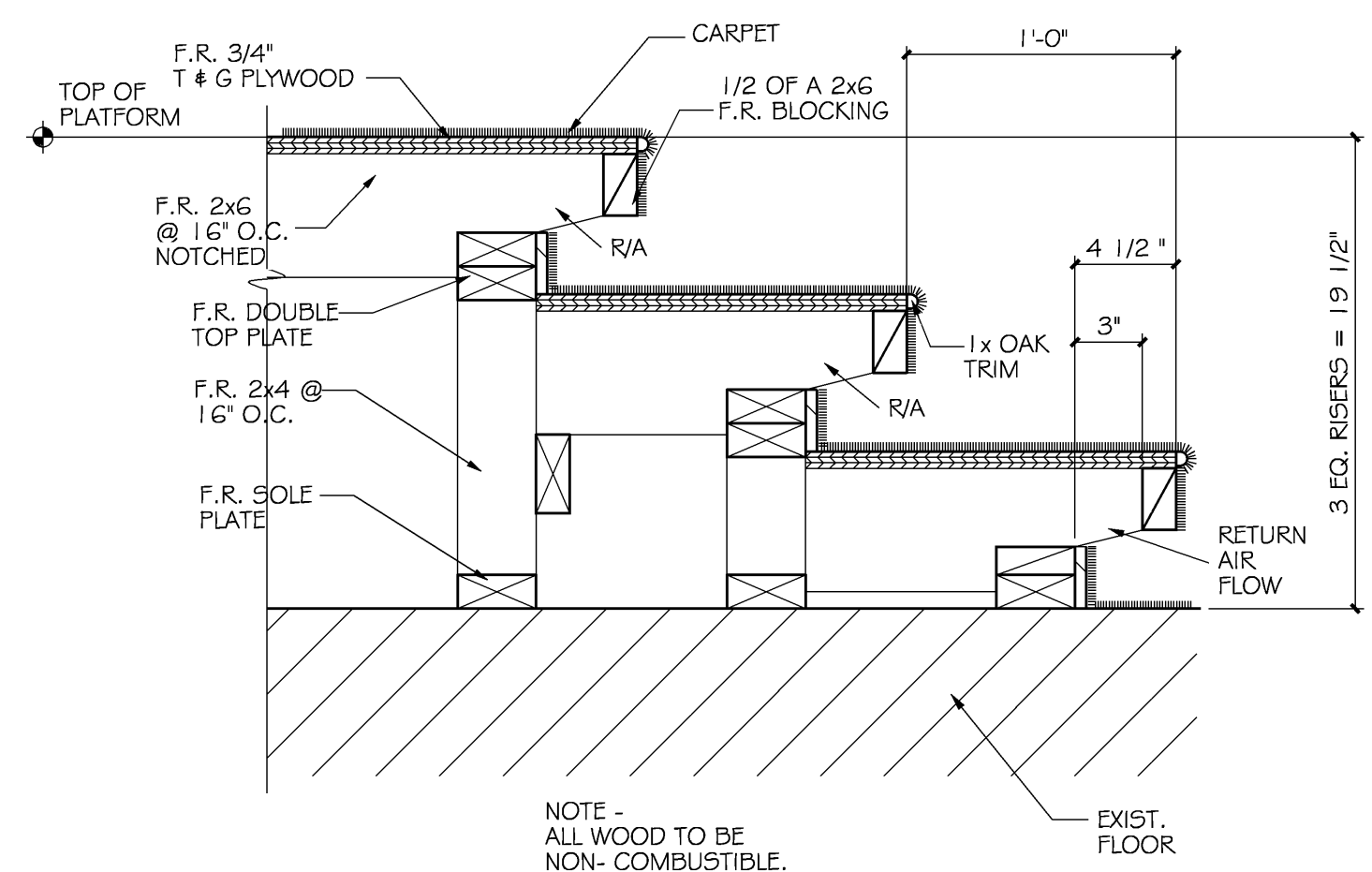
1  
A1.1



FLOOR PLAN

SCALE: 1/8"=1'-0"

2  
A1.1



R/A RISERS SECTION

SCALE: 1 1/2"=1'-0"

3  
A1.1

THESE DRAWINGS ARE OWNED AND INTENDED FOR USE BY CHURCH INTERIORS, INC. AND THE ARCHITECT ONLY. THEIR USE FOR "OPEN BIDDING" IS STRICTLY PROHIBITED.

© 2006 BRADLEY & BALL, ARCHITECTS, P.A.

**Church Interiors Inc.**  
THE NATION'S LEADING CHURCH RENOVATION SPECIALISTS.  
800 Eastchester Dr. - High Point, NC 27262  
(336) 889-0197 - FAX (336) 885-4949

**BRADLEY & BALL ARCHITECTS**  
5921-H WEST FRIENDLY AVENUE  
GREENSBORO, N.C. 27410

RENOVATIONS TO:  
**BEREAN BIBLE CHURCH**  
ATLANTA, GA

Mk	Date	Description	Revisions

PROPOSED PLANS

Date: 7-31-06  
Dwg. By: WLF  
Ck. By: RTB  
File No.: 6.084  
Sheet

**A1.1**